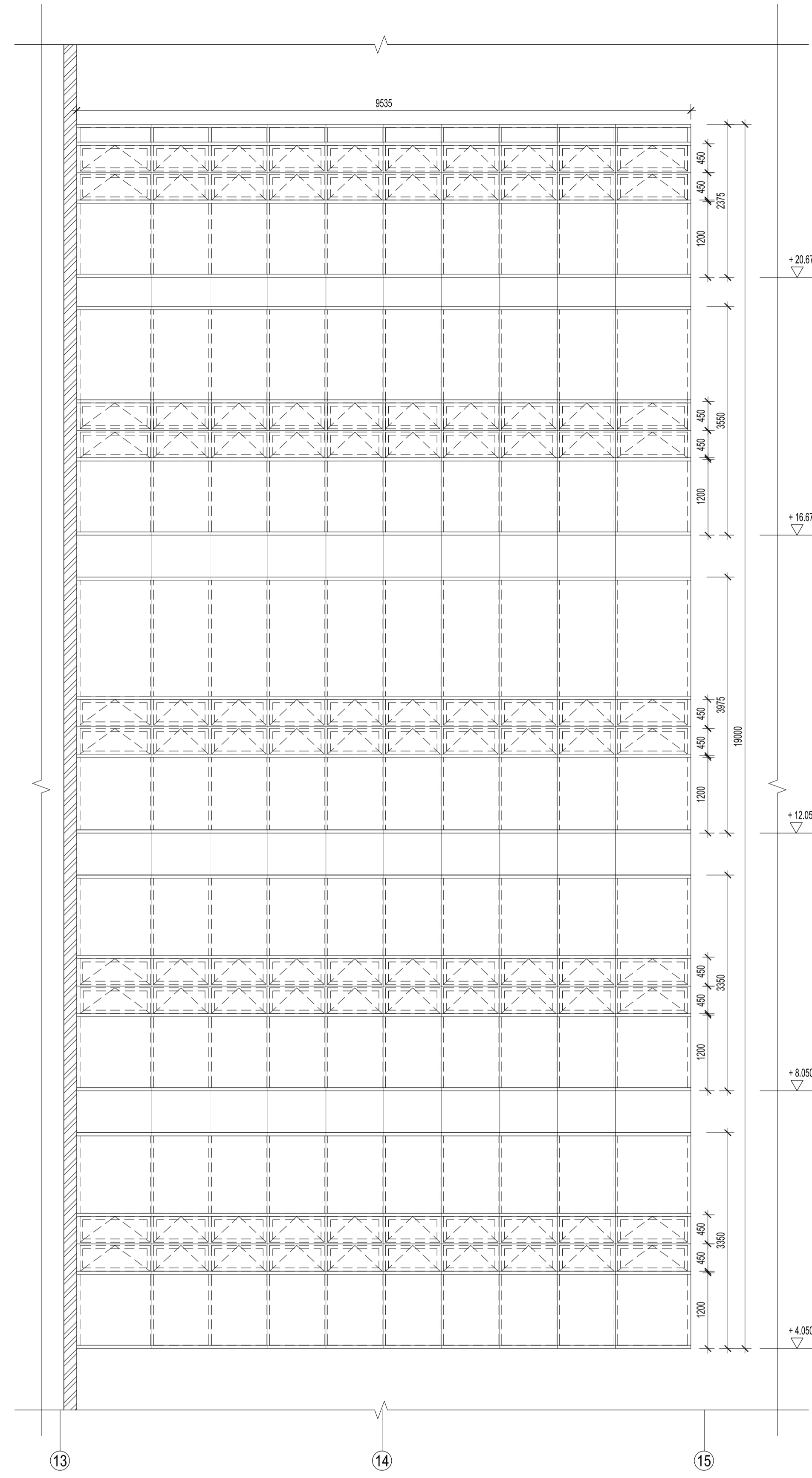
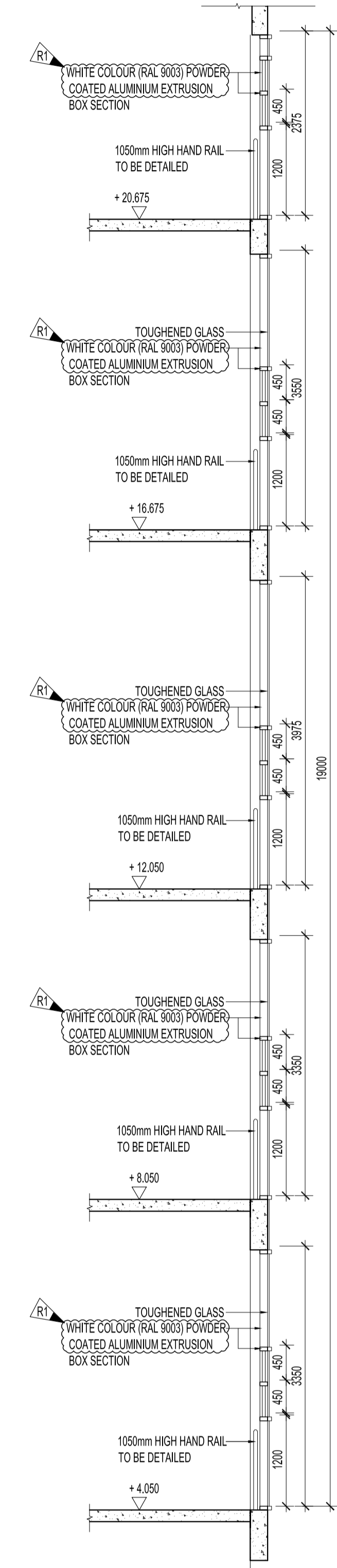


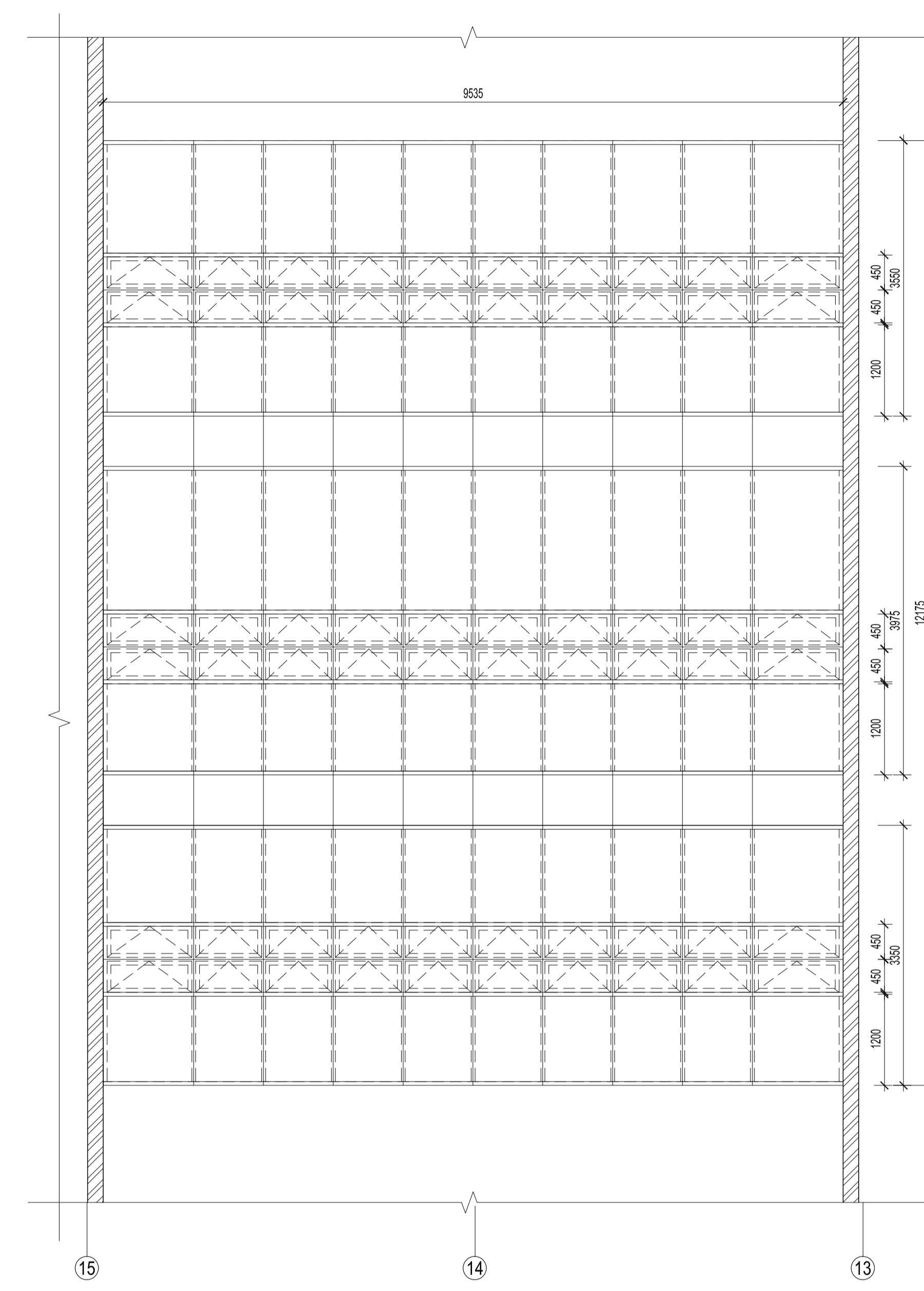
1. FOR GENERAL NOTES, KEY TO SYMBOLS, OTHER NOTATIONS, KEY TO FINISHES, ABBREVIATIONS AND SPECIAL NOTES REFER DRG. NO. C1607/AR/DE-29
 2. THIS DRAWING IS TO BE READ IN CONJUNCTION WITH DRG. NO. C1607/AR/DE-29 OTHER RESPECTIVE ARCHITECTURAL DRAWINGS.



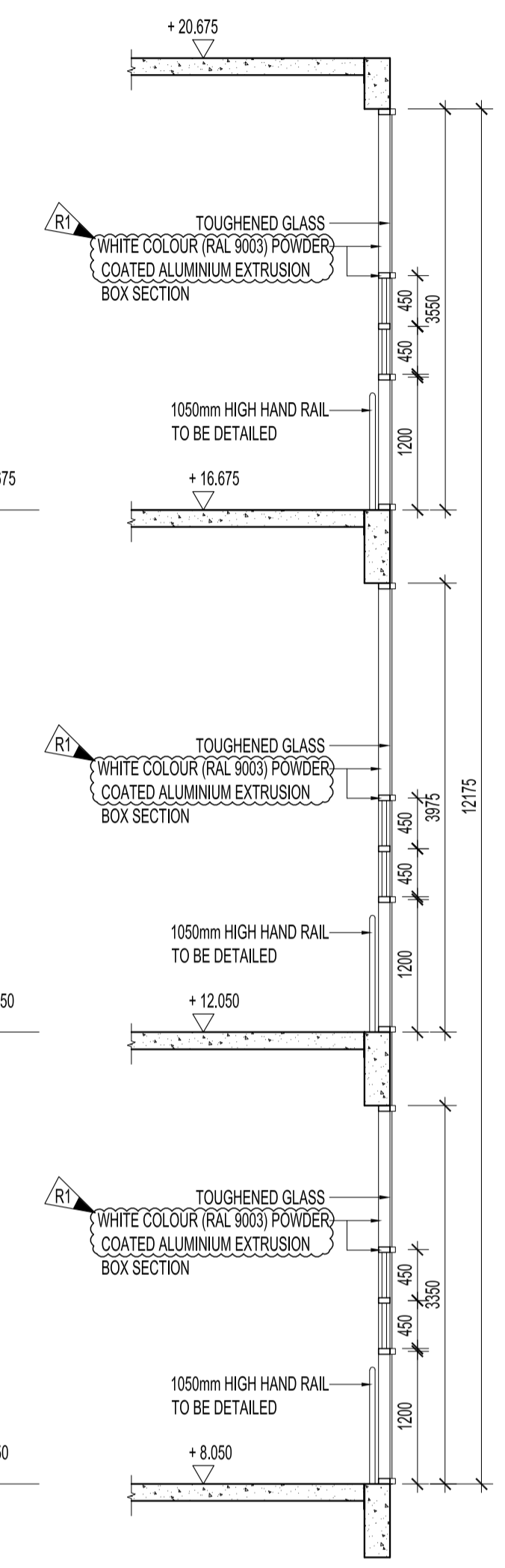
VIEW - C
SCALE 1:50



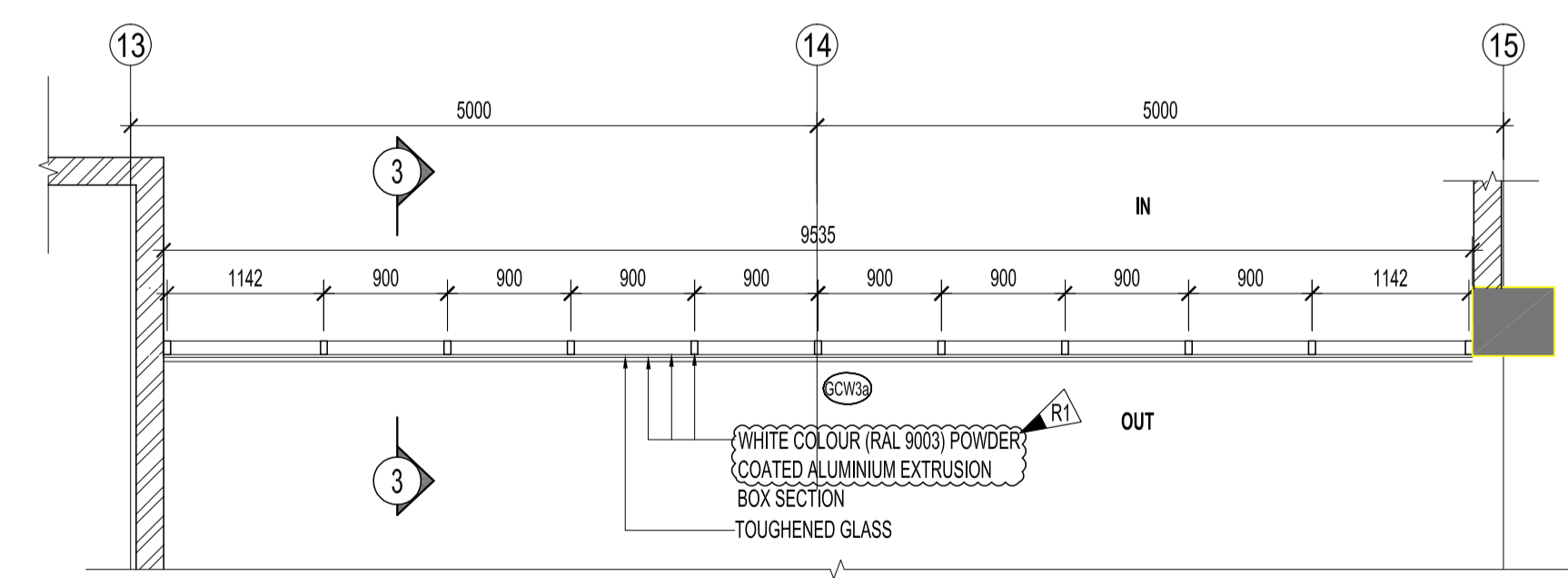
SECTION - 3
SCALE 1:50



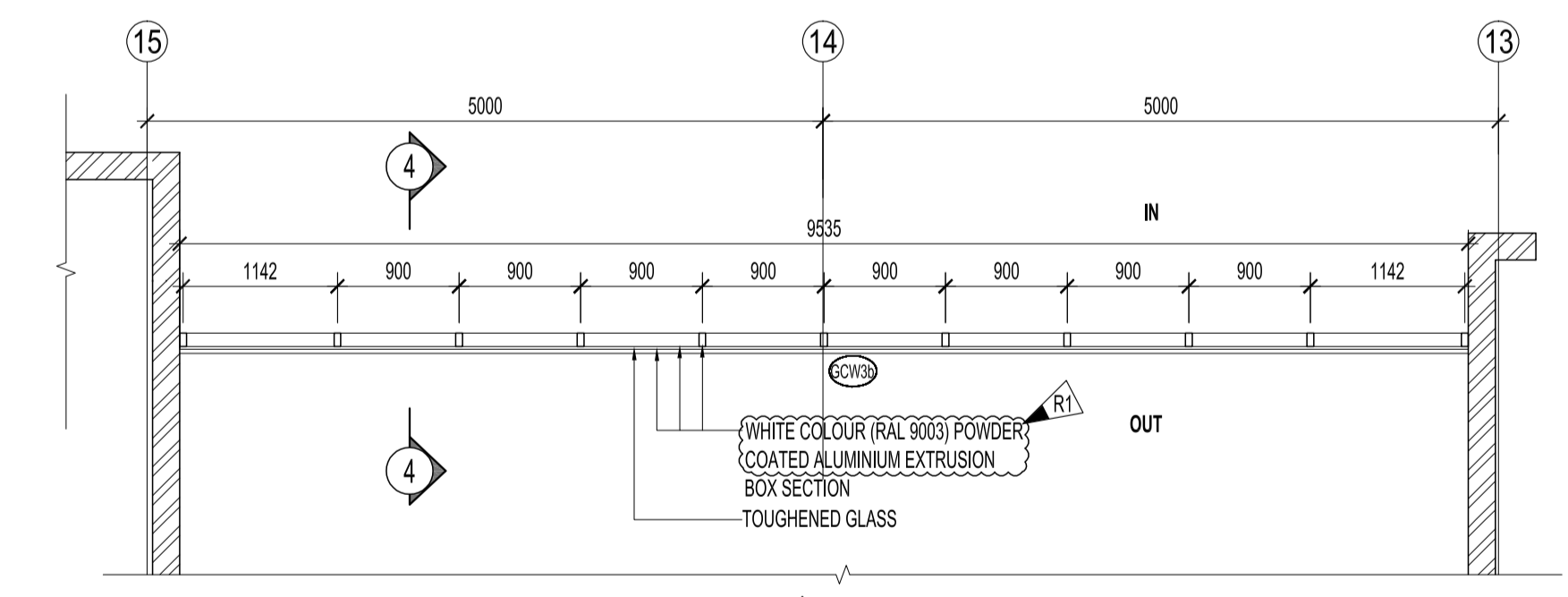
VIEW - D
SCALE 1:50



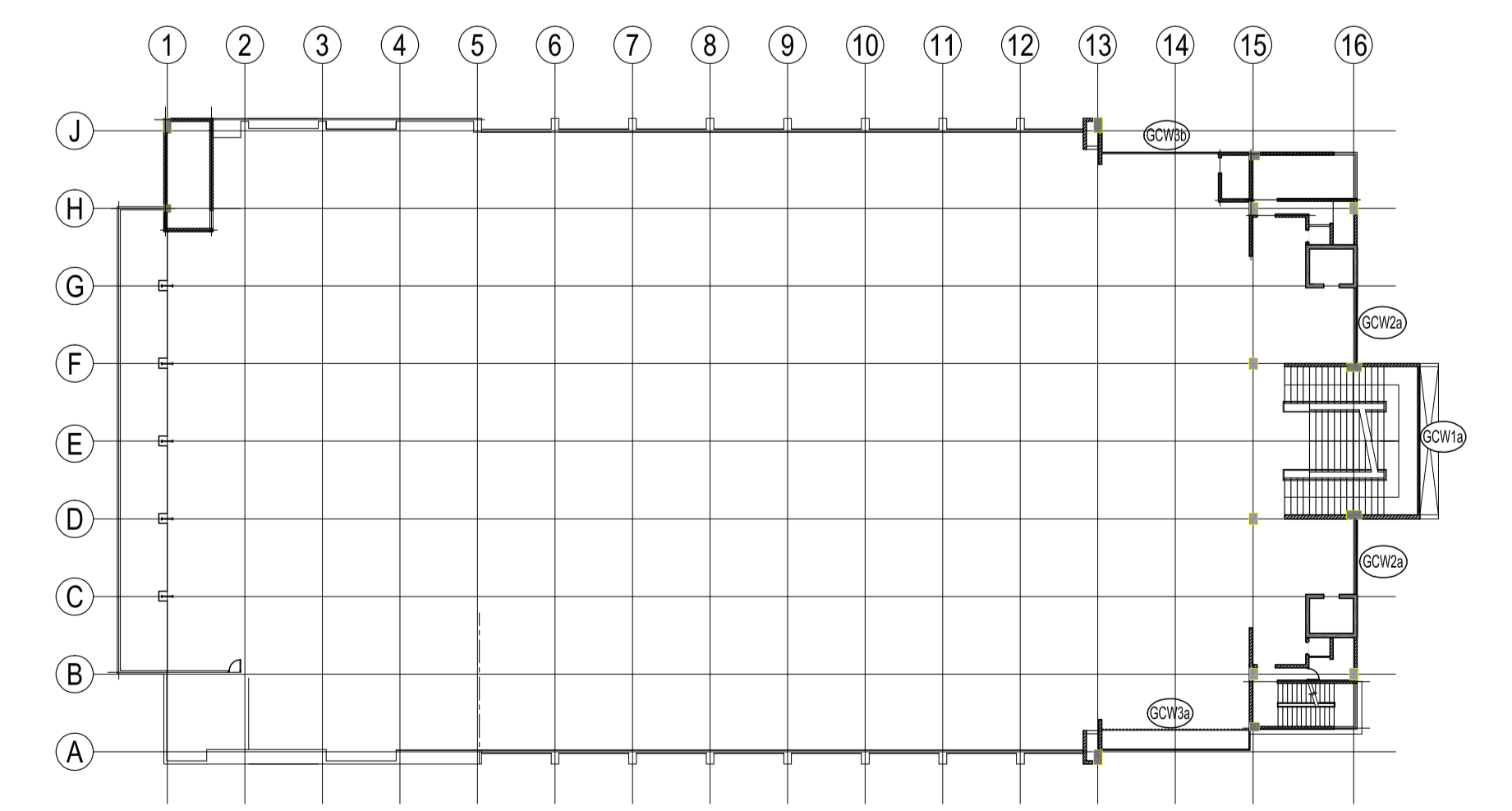
SECTION - 4
SCALE 1:50



PLAN
SCALE 1:50



PLAN
SCALE 1:50



KEY PLAN (PLAN AT LEVEL + 16.675)
SCALE 1:400

* THIS DRAWING IS SUPERSEDED BY DRAWING NO. C1607/AR/AR/DE-29 DATED 25.11.2021.

Design Review & Detail

cecb **CENTRAL ENGINEERING CONSULTANCY BUREAU**

Head Office
415, Bauzshakka Mawatha,
Colombo-07, Sri Lanka
Tel. 0094-11-2698900, Fax. 0094-11-2687389
E-Mail cecb@cecb.lk

Project Office
UNIT: ARCHITECTURAL UNIT
Tel. 011 2698938, 011 2698939
Fax. 011 2698961
E-mail: cecbark@gmail.com

DG5
The Design Group Five
International (Pvt) Ltd
Chartered Architects and Engineers
3, Anderson Road, Colombo 10 Sri Lanka & www.dg5.lk

THE DEMOCRATIC SOCIALIST REPUBLIC OF SRI LANKA
GENERAL SIR JOHN KOTHALAWALA DEFENCE UNIVERSITY

Project	DESIGN, CONSULTANCY & SUPERVISION ON REMAINING CONSTRUCTION WORKS OF KDU	
Title	DETAIL OF TEMPERED GLASS	
Rev.	Date	Desc.
R1	26.08.2023	AM/N/N CHANGES AS SHOWN CLOUD
	Description	Drwn. Chk'd App'd
		Rev. Date Desc.

Checked	A/M/N/N	SIGNED		SIGNED	
Drawn	A.D.C.	SIGNED		Recommended - (DGM/Arch)	
Checked	B.E.P.F	SIGNED		Approved - (AGM/Arch)	
Submtd	Y.G.R.	SIGNED	Scale: 1:50	Date: 19.05.2023	Status
Sheet Size	Y.G.R.	SIGNED	CAD File:	FIARCHINDU	CON.
Drawing No.	C1607/AR/AR/DE-29				Rev. No.
A0					R1