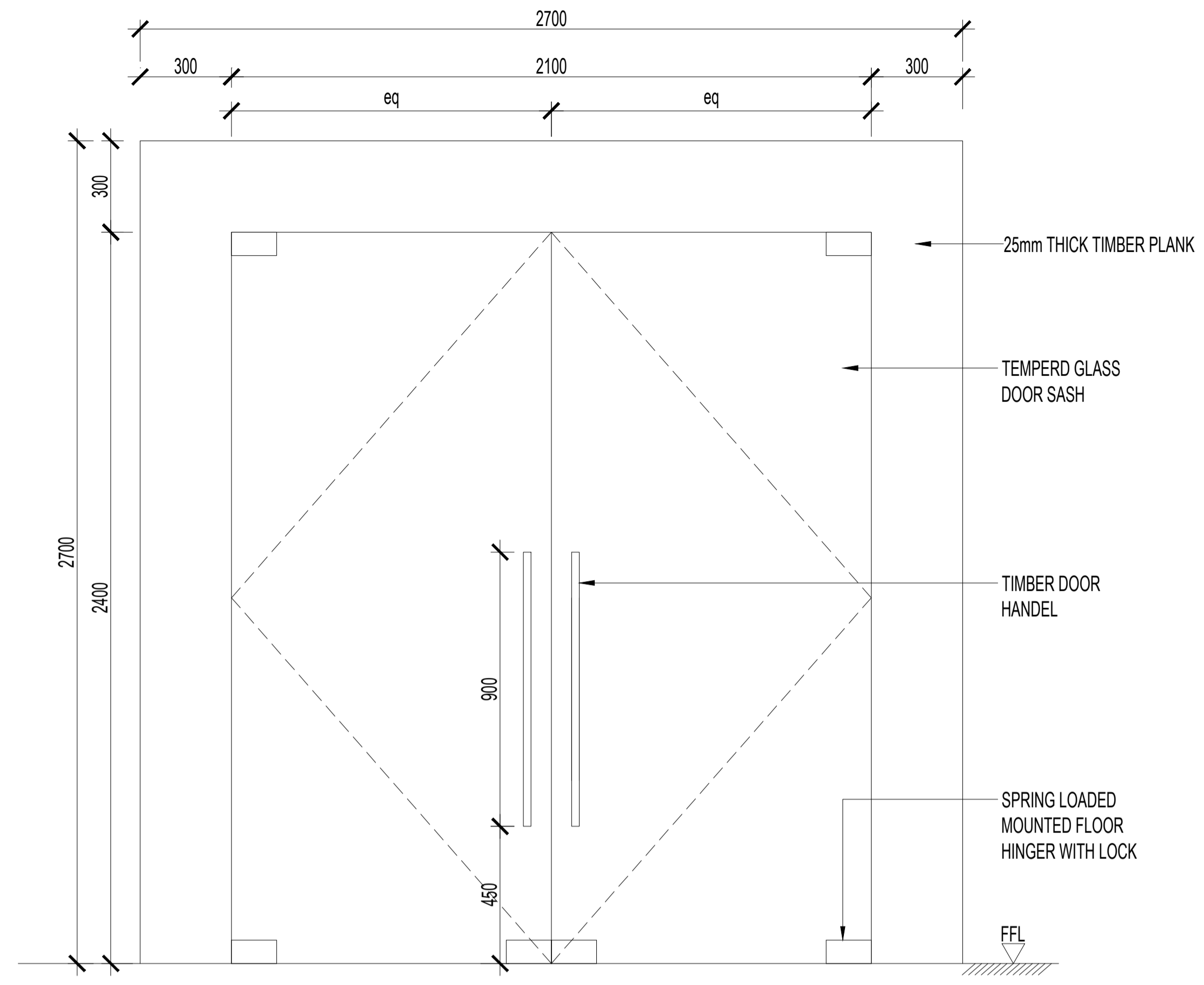
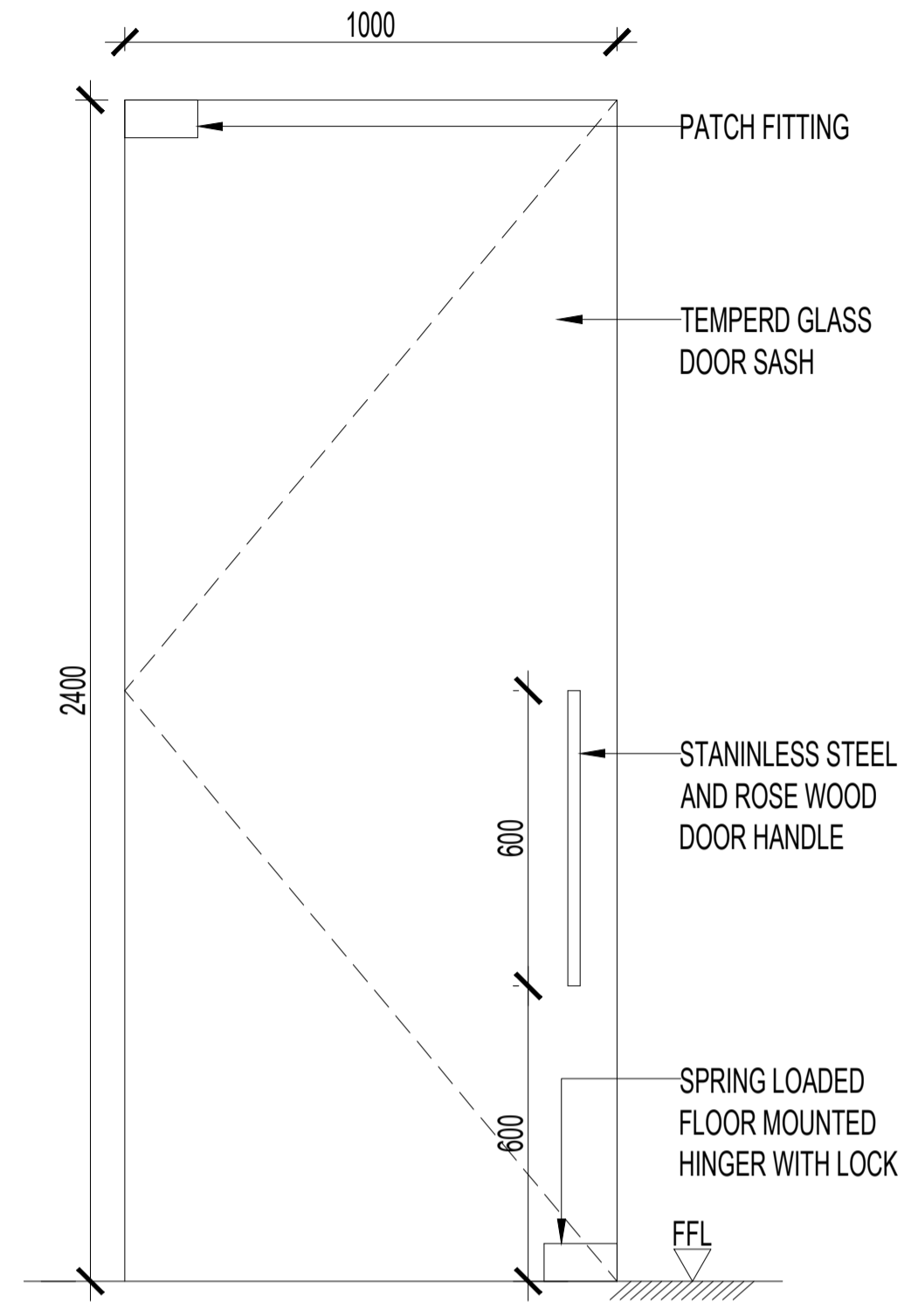


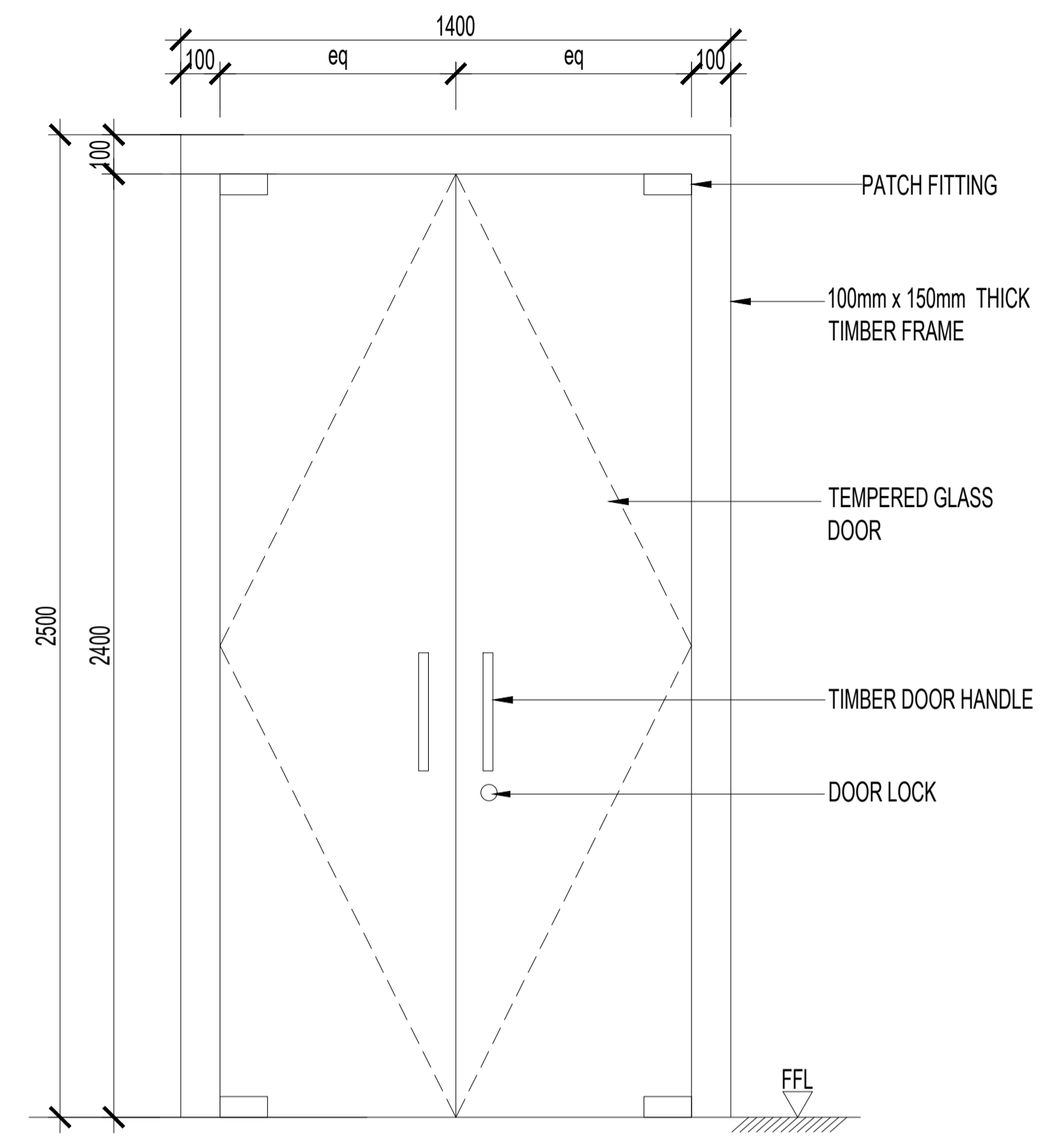
- FOR GENERAL NOTES, KEY TO SYMBOLS, OTHER NOTATIONS, KEY TO FINISHES, ABBREVIATIONS AND SPECIAL NOTES REFER DRG.NO. C1607/ARU/AR/PS-01
- THIS DRAWING IS TO BE READ IN CONJUNCTION WITH DRG. NO. C1607/ARU/AR/PS-01,02,03,04,05,06,07,08,09,10,11,12,13,DW-01,02,03 OTHER RESPECTIVE ARCHITECTURAL DRAWINGS.



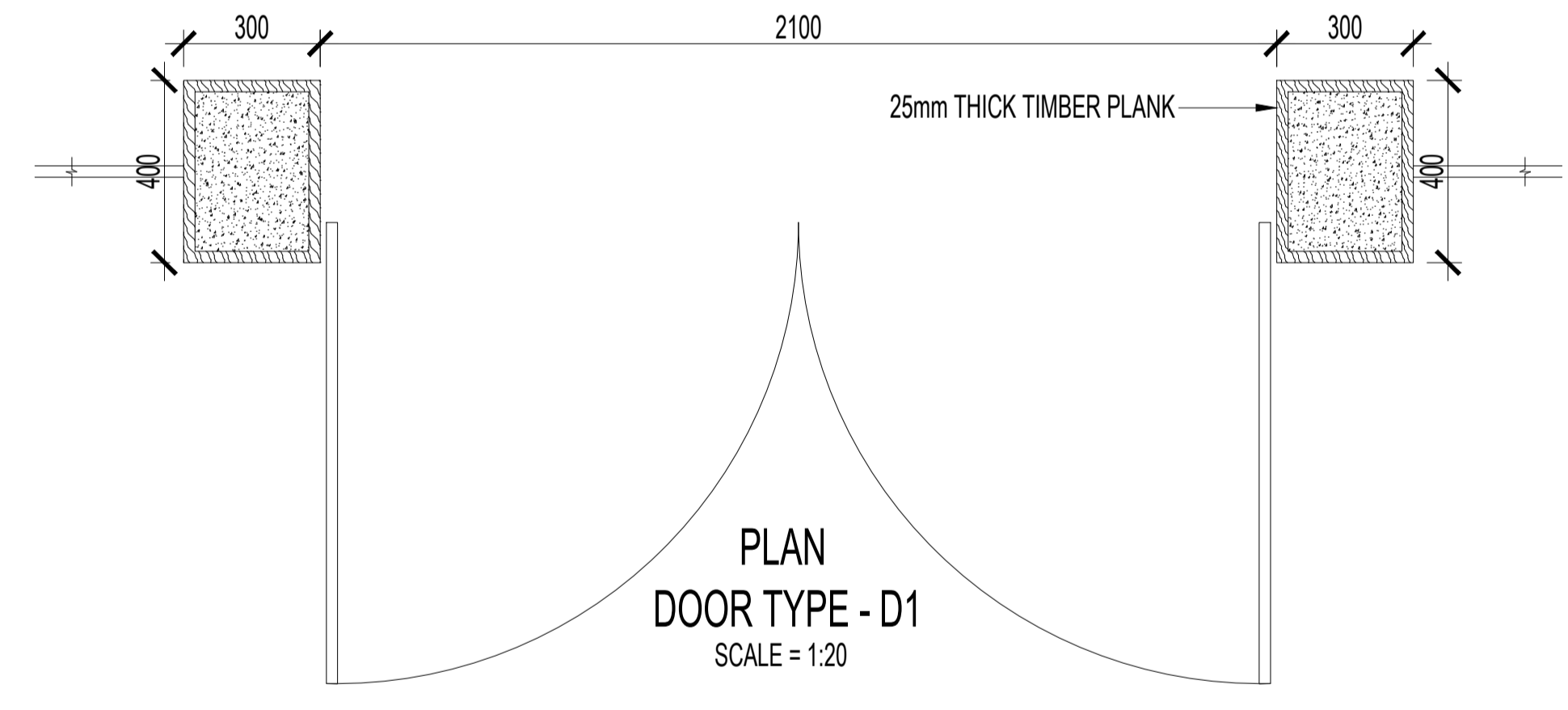
DOOR TYPE - D1  
SCALE = 1:20



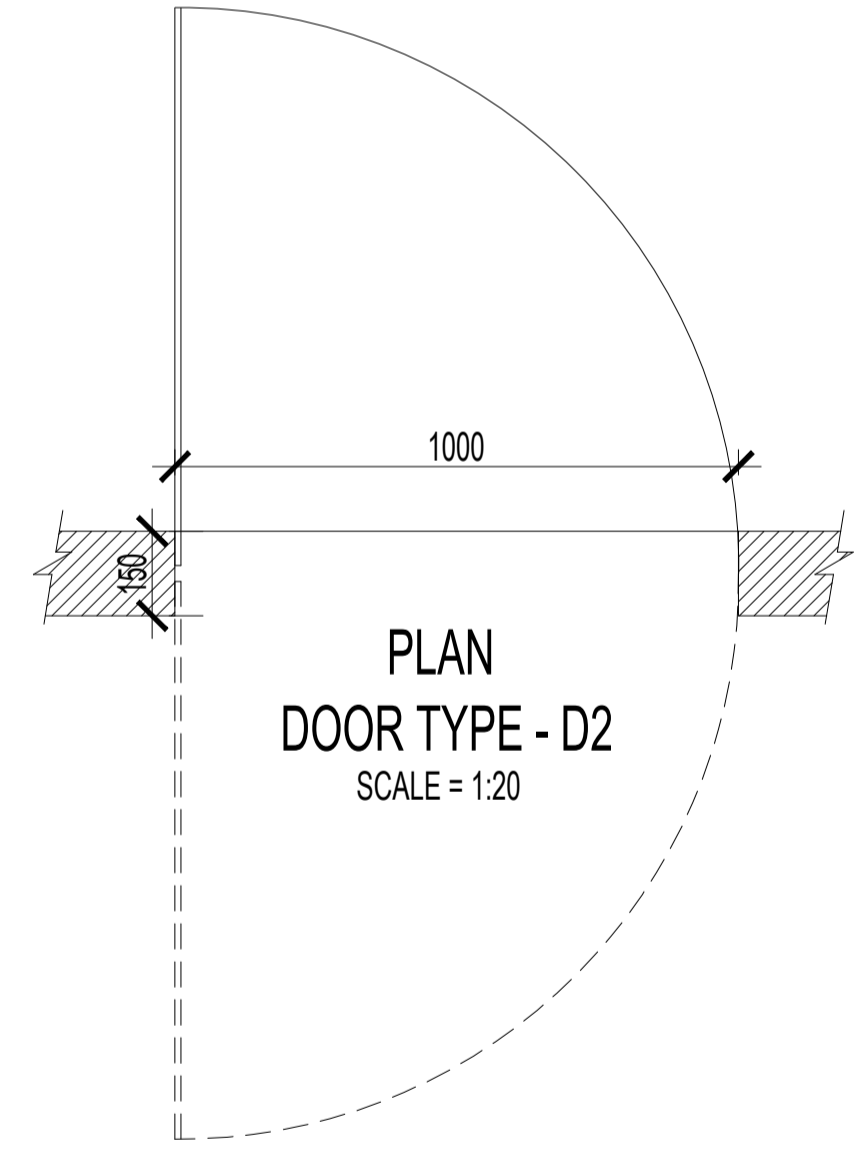
DOOR TYPE - D2  
SCALE = 1:20



DOOR TYPE - D10  
SCALE = 1:20



PLAN  
DOOR TYPE - D1  
SCALE = 1:20



PLAN  
DOOR TYPE - D2  
SCALE = 1:20

SCHEDULE OF DOORS AND WINDOWS

TYPE	SIZE	DESCRIPTION	SILL	GROUND	LEVEL +4.050	LEVEL +8.050	LEVEL +12.050	LEVEL +16.675	LEVEL +20.675	TOTAL
D1	2100 x 2400	DOUBLE SASHED DOUBLE SWING TEMPERED GLASS DOOR	-	02	-	-	-	-	-	02
D2	1000 x 2400	SINGLE SASHED DOUBLE SWING TEMPERED GLASS DOOR	-	04	-	-	-	-	-	04
D10	1400 x 2500	TEMPERED GLASS PRIVET DOOR	-	01	-	-	-	-	-	01